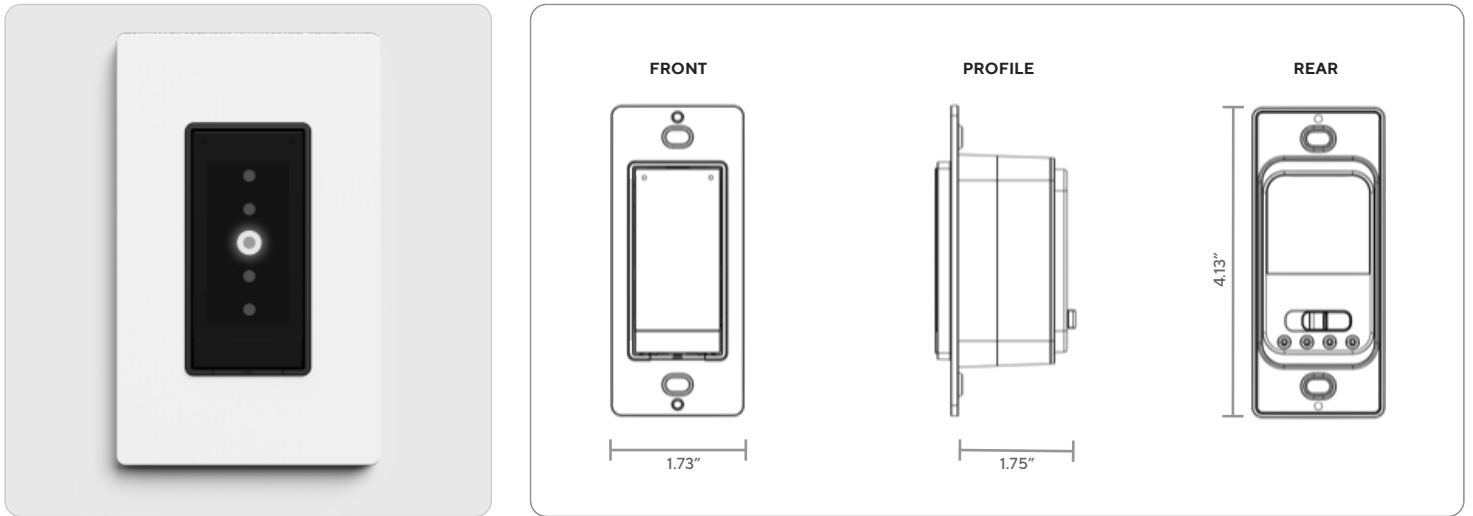


Intelligent Dimmer | Home Lighting System | Smart Home Control Platform



Features & Capabilities

Home Lighting System

- Responsive Lighting - Auto-On/Off based on presence
- Adaptive Dimming - Learns your lighting preferences
- Energy Saving - Senses light to avoid lighting waste
- Dims/controls traditional loads & smart fixtures - Philips Hue™
- Create and control Lighting Scenes
- Manual Control via Switch - Touchscreen & Rocker
- Remote Control via Orro App; Alexa App; Google Home App
- Voice Control w/ Alexa or Google Home
- One Switch starts your system; Extend with as many as needed.

Smart Home Control Platform

- Wireless Intercom System
- Smart Home Control- HVAC, Wireless Speakers, Locks, Universal Remote (On/Off, Dimmer). Scene Controller
- Security: Home Activity Monitoring
- Virtual Control - Possible to configure without a load.
- 1H-2021 Roadmap: Shade Controller, Smart Fan Controller

To see all available integrations, visit: www.getorro.com/support

Technical Specifications

Compatibility, Wiring Requirements & Load Ratings

- Compatible with LED, Halogen, Incandescent, MLV, ELV, CFL
- Multiphase Dimmer, with option to disable dimming
- Supports: Single-pole & multi-way configurations
- Fits any decora-style faceplate
- Neutral wire required. No special wiring required.
- 120V/ 60Hz

Ratings

	LED	INC.	HAL.	MLV	ELV	CFL
SINGLE-GANG	150W	500W	500W	300W	300W	150W
MULTI-GANG	150W	350W	350W	300W	300W	150W

Sensors, Interface & Connectivity

- Motion Sensor: Digital Passive Infrared
 - 120° FoV @ 25ft
 - 150° FoV @ 6ft
- Acoustical Sensor: Dual Microphones
- Ambient Light Sensor: Low Level Lux Detection
- Capacitive touchscreen & Built-in speaker
- WiFi & Bluetooth Connections

Other Requirements, Warranties & Certifications

- For Indoor Use Only. Not compatible with fans.
- Quick Connect System requires solid core cooper wires
- One Year Warranty
- FCC, RHoS
- Ships with (1) Single-Gang Faceplate in White